

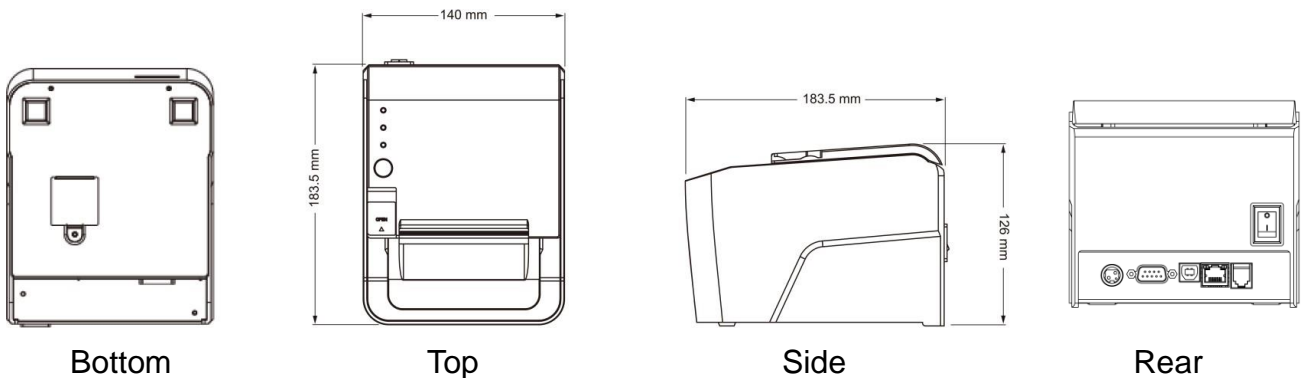
Glossy Thermal Receipt Printer PRP-250CL



• Features

- Compact and Stylish Design.
- Paper Auto-Cutter.
- Multi-I/O Interface:
 - Serial, Ethernet (RJ-45), USB (UTP).
 - Cash drawer connection port (RJ-11)
- Compatible with ESC/POS print commands set.
- Various Drivers support.
- User friendly, drop-and-print paper installation, simple paper jam elimination.
- Multiple Language fonts selectable.
- DHCP Client mode support.

• Dimensions



- Specifications**

Model	PRP-250CL
General	
Print Method	Thermal line printing
Print Speed	250mm/sec
Print Life	100 Km
Print Font (ASCII Mode)	ANK Font. Font A: 12 x 24 dots, Font B: 9 x 17 dots
Print Font (Graphic Font)	Chinese Character: 24 x 24 dots
Print Resolution	576 dots/line or 512 dots/line
Print Font Character Support *	International Font, Big 5 Chinese, GB Chinese, Japanese, Korean
Character Per Line	48 (Font A)/42 (Font B)
Effective Print Width	72mm
Paper Width	79.5mm± 0.5mm
Paper Roll Diameter	≤ 83mm
Paper Thickness	0.06~0.08mm
Driver	Win7/ Win8/ Win10, compatible with OPOS and ESC/POS
Print Command	ESC/ POS print commands set compatible
Auto Cutter	Partial
Paper End Detection	Yes
Over-Heat Halt-on Protection	Yes
Buffer	
Receipt Buffer	128K bytes
User-Defined Buffer	128K bytes
NV Flash Buffer	256K bytes
Interface	
Serial	
Ethernet	Multi I/O Interface: Serial +Ethernet +USB (UTP)
USB	
Cash Drawer	+24VDC/1A, 6-Wire RJ-11 Socket
Others	
Power Input	+24VDC/2.5A (with External Adapter 100~240VAC, 50/60Hz)
Color	Black
Compliance	FCC, CE, WEEE, RoHS
Weight	1250 g
Dimension (L x W x H: mm)	183.5 x 140 x 126
Operating Temperature	0°C ~ 45°C
Operating Humidity	10% ~ 80% RH, non-condensing
Storage Temperature	-10°C ~ 60°C
Storage Humidity	10%~ 90% RH, non-condensing

